

CAMPLUX

Pro Series



Electric Mini Tank Water Heaters USE & CARE MANUAL



8350 Patriot Blvd STE B, North Charleston, SC 29420

1(844) 538-7475

support@camplux.com

Visit Us: Camplux.com

CAMPLUX



1 **Table of Contents**

Important Safety Instructions 2

Technical Data 3-6

Technical Description 6

Installation Instructions 7

Plumbing Connections 8

Temperature & Pressure Relief Valve 8-9

Filling the Water Heater 10

Electrical Connections 10-11

Instructions for Use 11-12

Maintenance Instructions 12-14

Troubleshooting 15

Warranty 16-18

Schematic Disassembly & Parts List 19



IMPORTANT SAFETY INSTRUCTIONS

WARNING

When using electrical appliances, basic safety precautions to reduce the risk of fire, electric shock, or injury to persons should be followed, including:

1. **READ ALL INSTRUCTIONS BEFORE USING THIS WATER HEATER.**
2. This water heater must be grounded. Connect only to properly grounded outlet. See "GROUNDING INSTRUCTION" found on page 10.
3. Install or locate this water heater only in accordance with the provided installation instructions.
4. Use this water heater only for its intended use as described in this manual.
5. Do not use an extension cord set with this water heater. If no receptacle is available adjacent to the water heater, contact a qualified electrician to have one properly installed.
6. As with any appliance, close supervision is necessary when used by children.
7. Do not operate this water heater if it has a damaged cord or plug, if it is not working properly, or if it has been damaged or dropped.
8. This water heater should be serviced only by qualified service personnel. Contact nearest authorized service facility for examination, repair, or adjustment.
9. Do not use surge protectors or multi-outlet adaptors with this water heater.

SAVE THESE INSTRUCTIONS

The Camplux and/or distributor is not responsible for damages caused by improper installation, or by non-observance of the instructions in this manual.

A qualified, licensed technician must always install the water heater and conduct all subsequent service work and or maintenance.

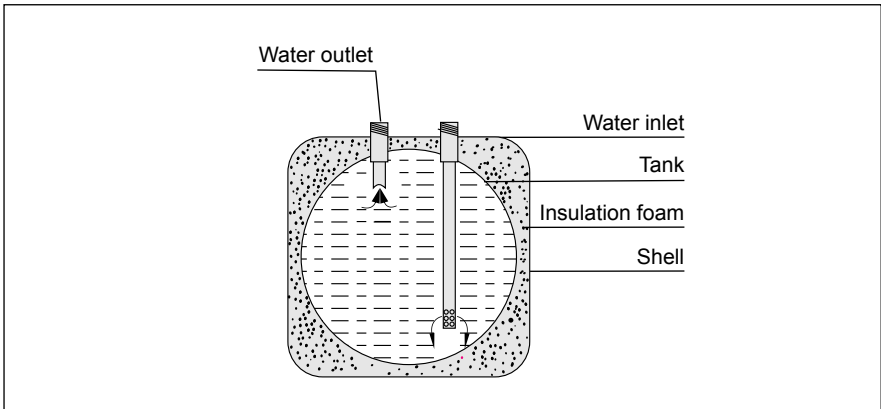
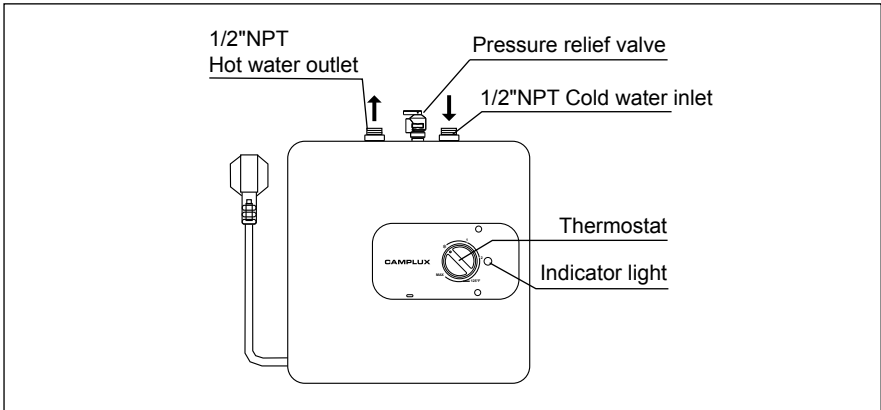
IMPORTANT

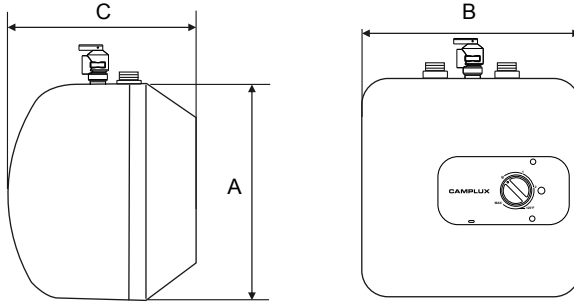
THE TANK COMPLETELY FULL WITH WATER AND HAVE WATER FLOWING FROM THE HOT WATER FAUCET BEFORE ACTIVATING POWER TO THE HEATER FOR THE FIRST TIME OR DAMAGE WILL RESULT.



Technical Data

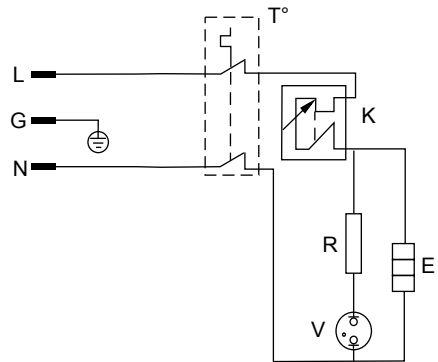
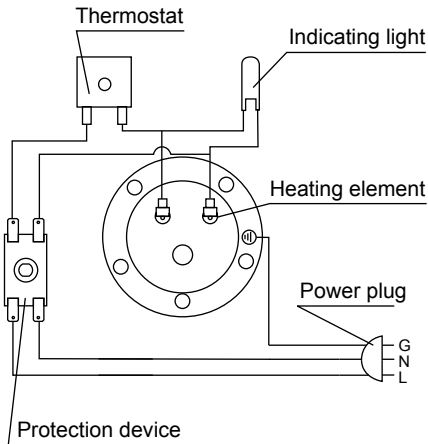
Model	CAMPLUX ME15B	CAMPLUX ME25B	CAMPLUX ME40B	CAMPLUX ME70B
Capacity (Gallons)	1.3	2.5	4.0	6.5
Voltage (VAC)	120	120	120	120
Power @ 120 VAC (Watts)	1440	1440	1440	1440
Max. Water Pressure (PSI)	150	150	150	150
Weight (empty) (LBS.)	11.0	15.4	19.8	26.5
Amperage (Amps)	12	12	12	12
Phases	1	1	1	1





Model	A (Inch)	B (Inch)	C (Inch)
CAMPLUX ME15B	11.42"	11.42"	9.65"
CAMPLUX ME25B	12.95"	12.95"	11.5"
CAMPLUX ME40B	14.5"	14.5"	12.9"
CAMPLUX ME70B	17.7"	17.7"	14.6"

CAMPLUX ME15B/CAMPLUX ME25B/CAMPLUX ME40B/ CAMPLUX ME70B



General information

The Camplux mini tank water heaters can be used in most under the counter, point of use applications. The Camplux models are designed to supply hot water for all hand washing and kitchen sinks in a residential, commercial or industrial environment.

The Camplux mini tank water heaters are slow recovery, small reservoir, not intended for showers or filling tubs.

Camplux models can replace traditional central hot water heaters thereby conserving water and reducing energy waste. Camplux models can also be plumbed in series with the central water heater and act as a booster.

The Camplux mini tank water heaters are light weight, compact and designed for easy installation. Camplux models can be wall mounted with included hardwares or floor mounted.

The CAMPLUX ME15B, CAMPLUX ME25B, CAMPLUX ME40B and CAMPLUX ME70B are designed to operate at 150PSI maximum water pressure. Install a pressure relief valve if your water pressure is greater than 150PSI.

CAUTION

Camplux cannot be responsible for the damage caused by improper installation or by failure to follow instructions in this manual. Comply with the installation instructions before connecting to electrical outlet.

CAUTION

The thermostats on this water heater have been set at the factory to 125°F (52°C) or lower to reduce the risk of scald injury;

Locate the front panel and temperature adjustment knob on the water heater. The recommended starting setpoint is identified on the dial as. The red indicator 125°F (52°C) at the center of the display will illuminate when the water is heating. When the water in the tank is at the desired temperature, the red indicator will NOT be illuminated.

If you choose a higher temperature, be sure to read and follow the warnings outlined on the label below. This label is also located on the water heater near the top of the tank. Thermostatic Mixing Valves located at each point-of-use are particularly important to help avoid scalding.



Temperature	120°F (49°C)	125°F (52°C)	130°F (54°C)	135°F (57°C)	140°F (60°C)	145°F (63°C)	150°F (66°C)	155°F (68°C)
Time to Produce a Serious Burn	More than 5 minutes	1-1/2 to 2 minutes	About 30 seconds	About 10 seconds	Less than 5 seconds	Less than 3 seconds	About 1-1/2 seconds	About 1 seconds

CAUTION

Hydrogen gas builds up in a hot water system when it is not used for a long period (two weeks or more). Hydrogen gas is extremely flammable.

If the hot water system has not been used for two weeks or more, open a hot water faucet for several minutes at the kitchen sink before using any electrical and most distant sink being served by this water heater before using any electrical appliance connected to the hot water system .Do not smoke or have an open flame or other ignition source near the faucet while it is open.

WARNING

Installer should review the contents of this manual with the owner upon completion of the installation, and the manual should remain with the owner and placed in a location close to the water heater.

Technical Description

There are 4 Camplux mini tank models, 1.3, 2.5, 4.0 and 6.5 gallon model. The pressure vessel (water tank) is welded, glass lined steel and is equipped with an anode rod. The water heater is equipped with a thermostat and a high temperature limit switch. A temperature pressure relief valve is supplied with the unit.



Installation Instructions

CAMPLUX ME15B/CAMPLUX ME25B/CAMPLUX ME40B/ CAMPLUX ME70B

The installation must be completed by a licensed professional. All state and local codes must be adhered to. Camplux will not be liable for any damages because of failure to comply with these installation instructions or because of improper installation performed by an unqualified installer.

Choose a location

That allows ease of access for maintenance or servicing, ideally installed at least 9" clearance at the top from the ceiling, cabinet, or any adjacent walls.

Wall mounting

Fasten the supplied mounting bracket to the wall. Use screws that are suitable for the wall material and the weight of the water heater filled to capacity (CAMPLUX ME15B=22.0 lbs, CAMPLUX ME25B=37.5 lbs, CAMPLUX ME40B=53.0 lbs, CAMPLUX ME70B=81.6 lbs). Hang the water heater on the bracket and pull downwards on the water heater to ensure that both "fingers" of the bracket are seated in the mounting slots.

Confirm your water piping orientation (hot and cold) before wall mounting. **Only install in vertical position.** The heater can sit on the floor in a tray with a drain.

Confirm water piping orientation before finalizing on floor. **Again, only install in vertical position!** Camplux models CAMPLUX ME15B, CAMPLUX ME25B, CAMPLUX ME40B and CAMPLUX ME70B can be installed under the sink.

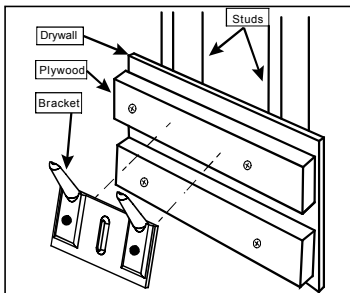


Figure - Mounting for Drywall

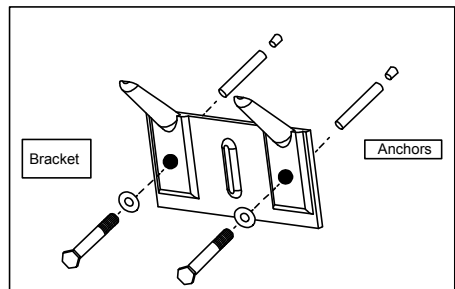


Figure - Mounting Bracket for Masonry Wall.



Plumbing Connections

Connect the cold-water inlet pipe to the inlet nipple (marked with a blue ring) and the hot water outlet pipe to the outlet nipple (marked with a red ring).

IMPORTANT

If water pipes are copper or bronze, use dielectric connections to prevent corrosion. Failure to provide dielectric insulation may result in premature tank or nipple failure and may void your warranty. Ensure that the water heater is installed in a level position. Install a shut off valve on the cold-water side of the water heater. The valve is for servicing and the valve should be in the open position when the water heater is in operation. In order to protect the water heater from heat damage due to soldering, solder a piece of tubing to a threaded union fitting before screwing the union to the tank. **Do not apply heat directly to inlet or outlet connections.**

Temperatures & Pressure Relief Valve

CAUTION

To reduce the risk of excessive pressures and temperatures in this water heater, install the Temperature and Pressure protective equipment required by local codes and no less than a combination temperature and pressure relief valve certified by nationally recognized testing laboratory that maintains periodic inspections of production of listed equipment or materials, as meeting the requirements for relief valves and Automatic Gas shutoff devices for Hot water supply systems ANSI 121.22. This valve must be marked with a maximum set pressure not to exceed the marked maximum working pressure of the water heater (150 PSI). Install the T/P valve into an opening provided and marked for this purpose in the water heater, and Orient it or provide tubing so that any discharge from the valve exits only within 6 inches above, or at any distance below the structural floor, and does not contact any live electrical part. The discharge opening must not be blocked or reduced in size under any circumstances.



T/P valve discharge pipe

1. Must not be smaller in diameter than the outlet diameter of the valve, or have any reducing couplings.
2. Must not be plugged or blocked.
3. Must be made of suitable material for hot water.
4. Must not be over 15" in length.
5. Must not have more than two elbows.
6. Must terminate at an adequate drain.
7. Must not have a shut off valve between relief valve and tank or relief valve and termination of discharge.

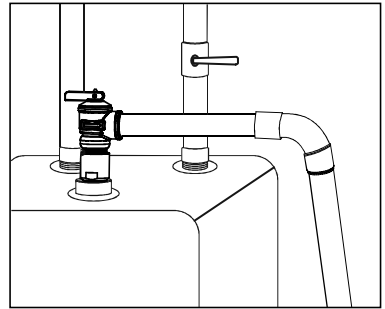


Figure - The T&P Relief Valve discharge pipe must be installed properly and piped to an adequate drain.

Closed system thermal expansion

Periodic discharge of the T/P relief valve or failure of the element gasket may be due to thermal expansion in a closed water supply system. The water utility supply meter may contain a check valve, back flow preventer or water pressure reducing valve which will create a closed water system. During the heating cycle of the water heater, the heated water expands causing pressure inside the water heater to increase. The T/P relief valve may discharge hot water under these conditions which results in a loss of energy and a build up of lime on the relief valve seat.

To prevent this from happening, there are two recommendations

1. Install a diaphragm-type domestic hot water expansion tank (suitable for potable water) on the cold-water supply line. The expansion tank must have a minimum capacity of 1.5 U.S. gallons for every 50 gallons of stored water.
2. Install a 150 PSI pressure relief valve in the cold-water supply line. Make sure the discharge of this valve is directed to an open drain and protected from freezing. Contact your local water utility or plumbing inspector for information on how to control this situation. Never plug the outlet of the relief valve.



Filling the Water Heater

CAUTION

Before plugging in the water heater power cord into an outlet, be sure that the system is completely charged with water and all air is removed. Before connecting the power, fill the tank and system with water and check for leaks. To be sure that all air is out of the water system, open the hot water faucets on your fixtures until constant water flows. Any air remaining in the tank will cause the water heater element to fail.

1. Open the hot water faucet.
2. Open the cold-water supply valve.
3. When continuous water flows out of the faucet, the tank is filled.
4. Close the hot water faucet.
5. Check entire system for leaks.

Electrical Connections

To be certain that all of the air is out of the water heater, open the hot water faucet on your fixtures until constant water flows from them. If air remains in the tank, the element will be damaged when the electric cord is plugged in.

GROUNDING INSTRUCTION

Connect the water heater to a grounded outlet. The water heater is fitted with a power cord that is intended to plug into a grounded 120 V/AC receptacle. Adhere to all pertinent State and local codes. Install the correct size circuit breaker into the master panel. The Camplux mini tank water heater was manufactured and wired in accordance with UL requirements.

The water heater is equipped with an overheat limiting device with a manual reset. Also known as the temperature high limit, this device has been factory installed to interrupt the power supply in the event of a thermostat failure.

This water heater is designed for 120V service-Do not connect to any other voltage.



Failure to use proper voltage may result in personal injury and/or property damage. If the supplied electrical power cord is either damaged or not long enough, do not use an extension cord. Have a licensed electrician replace the power cord.

Instructions for Use

Congratulations!

You are now ready to use your water heater. Run the hot water at a nearby sink and evaluate the hot water temperature. Make any temperature adjustment using the section below:

Setting the thermostat

The water heater is equipped with an adjustable thermostat that once set will automatically control water temperature. The red indicator lamp remains illuminated while the water is being heated. If the water in the tank is at the desired temperature the lamp will not be illuminated.

The temperature adjusting knob will increase the temperature by turning the knob clockwise and decrease the water temperature by turning the knob counter clockwise.

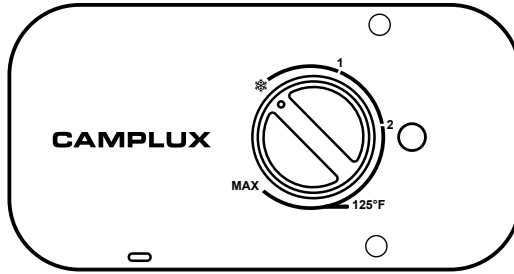
When not being used for a lengthy period of time, you can conserve energy by reducing the water temperature setting.

Setting the freeze protection

When the water heater is not being used for an extended period of time and there is a risk of freezing, either unplug and drain the water heater or turn the thermostat knob to the snowflake position to guard against freezing.

This position will keep the internal water temperature above the freezing point.





Maintenance Instructions

Do not attempt to repair this water heater yourself. Call a service person (plumber or electrician) for service assistance. Always unplug the power supply cord when the water is turned off or when servicing or draining the water heater. Before calling for service, first confirm that the water heater is properly filled and that 120V/AC power has not been interrupted.

WARNING

Before servicing or cleaning the water heater, disconnect the power cord from the electrical outlet.

Note: For most maintenance operations, the water heater will need to be drained. In all cases before draining first unplug the power cord.

Draining and removing the water heater

1. Unplug the water heater.
2. Open a hot water faucet to let hot water run out. Allow water to flow until water is no longer hot.
3. Turn off the cold-water supply to the water heater.
4. Close the hot water faucet.
5. Disconnect the water heater from both the hot and cold-water connections.
6. If possible siphon out remaining water.
7. Carefully detach the water heater from the wall.
8. Tilt the water heater to drain remaining water out of the heater.



Removing the heating element

1. Unplug water heater power cord and drain (see page 12).
2. Remove cover.
3. Remove all the line wires from the heating element.
4. Unscrew the heating element retaining nuts.
5. Remove the element.

Descaling the heating element:

Scale deposits can affect the heating capability of the element. Heavy scale can even cause the element to burn out. The element can be descaled chemically or manually.

1. Remove the heating element (see previous paragraph).
2. To descale chemically, soak the heating element in white vinegar or other descaling solution and then rinse well with fresh water.
3. To descale manually, let element dry and then using a non-metallic brush similar to a tooth brush; brush the residue from the element. Avoid damaging the surface of the element.
4. Reinstall the element and gasket.
5. Refill tank with water before plug in the power cord.

Replacing the heating element

1. Unplug and drain the water heater (see page 12).
2. Remove heating element noting original positions of all connections.
3. Install new element with gasket making sure the new element and gasket are positioned correctly.
4. Tighten retaining nuts and make the wire connections to their original locations.

Changing the thermostat

1. Unplug water heater power cord from the electrical outlet.
2. Drain and remove the water heater. (see page 12)
3. Remove the bottom panel of the water heater and remove the panel.
4. Remove thermostat knob and unscrew two retaining screws. It may be necessary to pry the knob off the thermostat spindle. Now remove front panel.
5. Disconnect the push-pull wire connectors on the thermostat noting which connector goes to which terminal. Terminals are marked.



6. Remove the thermostat probe from the well.
7. Install new thermostat, attach wires and tighten screws.

Resetting the high limit switch

For various reasons the high limit safety shut off switch will occasionally shut the water heater down. This shut down will occur when water temperatures exceed 140°F(60°C). Power is automatically turned off to the heating element. The shut off device may activate as a result of a power outage or an electrical storm.

Note: Do not attempt to reset the high limit switch without first allowing the water heater to cool down the high temperature water inside the heater.



WARNING

Do not tamper with the reset button to override overheating shut down.

1. Unplug water heater power cord from the electrical outlet.
2. Drain and remove the water heater. (see page 12)
3. Remove six screws retaining the bottom panel of the water heater and remove the panel. Locate the high limit reset button.
4. Depress the small red button in the center of the junction box, replace the bottom panel and place the water heater back into service.

Note: A lower temperature setting saves energy and reduces the risk of scalding.



CAUTION

Call a technician if the high limit needs to be reset frequently.



Troubleshooting

Problem: Water does not get hot

1. Make sure the power supply is on and working.
2. If light does not turn on, check that the reset button is pushed in; follow steps from previous section.
3. If the indicator light is illuminated, but water temperature does not get hot at the sink, test for a plumbing cross over as follows; shut off cold water supply to water heater and open hot water tap. There should be no water flowing. Any continuous flow indicates a cross over which will affect the temperature and will need to be corrected.
4. If there is no crossover, then replace the heating element (see page 13).

Problem: Indicator light not on

1. If the light does not turn on, but water gets hot, check for faulty bulb.
2. Check reset button; follow steps from previous section.

Problem: Water is too hot

1. Turn the temperature knob counter clockwise to a lower temperature setting. If temperature does not lower within 60 minutes, then replace thermostat.

Problem: Water is not hot enough

1. Under Instructions for Use, see “Setting the thermostat”.

Problem: Water is leaking

1. Unplug water heater power cord from the 120V/AC outlet.
2. Check water fittings and T&P fitting in the top of the tank.



Camplux Mini Tank Water Heaters – Limited Three (3) Years Warranty Coverage

Camplux warrants this water heater to the Owner (hereinafter “Owner”) of the water heater at the original installation location against defects in material and workmanship for the periods specified below.

Warranty Period

1. When a failure of the inner tank of a Camplux mini tank water heater, installed in a single family, residential application and exposed to normal usage (not including recirculating applications), occurs within three (3) years from the date of the original installation and is supplied with potable water, deemed not to be hard water, and such failure is proven to be a result of a defect in material or workmanship or within one (1) year if used as part of a recirculating application or in a non-single family residential application, or with hard water, Camplux will furnish to such owner a new water heater of the then prevailing comparable model.
2. If any component part (other than the inner tank) is proven to be defective in material or workmanship within one (1) year from date of original installation in a single family, residential application used with potable water deemed not to be hard water or within one (1) year if used as part of a recirculating system, or with hard water, or if used in other than a single family residential dwelling, Camplux will furnish the Owner with a replacement of the defective part(s).
3. Verification of Date of Original Installation- When Owner can not verify or document the original date of installation, the warranty period begins on the date of manufacture marked on the tag affixed to the water heater.

Exclusions

1. This limited warranty shall be the exclusive warranty made by the Camplux and is made in lieu of all other warranties, expressed or implied (whether written or oral), including, but not limited to, warranties or merchantability and fitness for a particular purpose.
2. The Camplux shall not be liable for any incidental, consequential, special or contingent damages or expenses arising, directly or indirectly, from any defect in the water heater or the use of the water heater.
3. The Camplux shall not be liable for any water damage arising, directly or indirectly, from any defect in the water heater component part(s) or from its use.



4. Camplux shall not be liable under this warranty if:
 - a) The water heater or any of its component parts has been subject to excessive water pressure, misuse, abuse, alteration, neglect or accident, or
 - b) The water heater has not been installed in accordance with the applicable local plumbing, electrical and/ or building code(s) and/or regulation(s), or
 - c) The water heater has not been installed in accordance with the printed Camplux's instructions, or
 - d) The water heater is not continuously supplied with potable water, otherwise described as dry firing
 - e) The water heater is exposed to conditions resulting from floods, earthquakes, winds, fire, lightning or circumstances beyond the control of the Camplux
 - f) The water heater is installed by non-qualified personnel.
5. The owner and not the Camplux nor his agent/representative shall be liable for and shall pay for all field charges for labor or other expenses incurred in the removal and/or repair of the water heater or any expense incurred by the Owner in order to repair the water heater.

Some states do not allow the exclusion or limitation of incidental or consequential damages, so the above limitation or exclusion may not apply to you. This warranty gives you specific legal rights and you may also have other rights which may vary from state to state.

IMPORTANT

Owner should retain this document.

Note: Most tank water heaters eventually leak. Your Camplux water heater should be installed in such a manner that if it should leak, the resulting flow of water will not cause damage to the area in which it is installed.

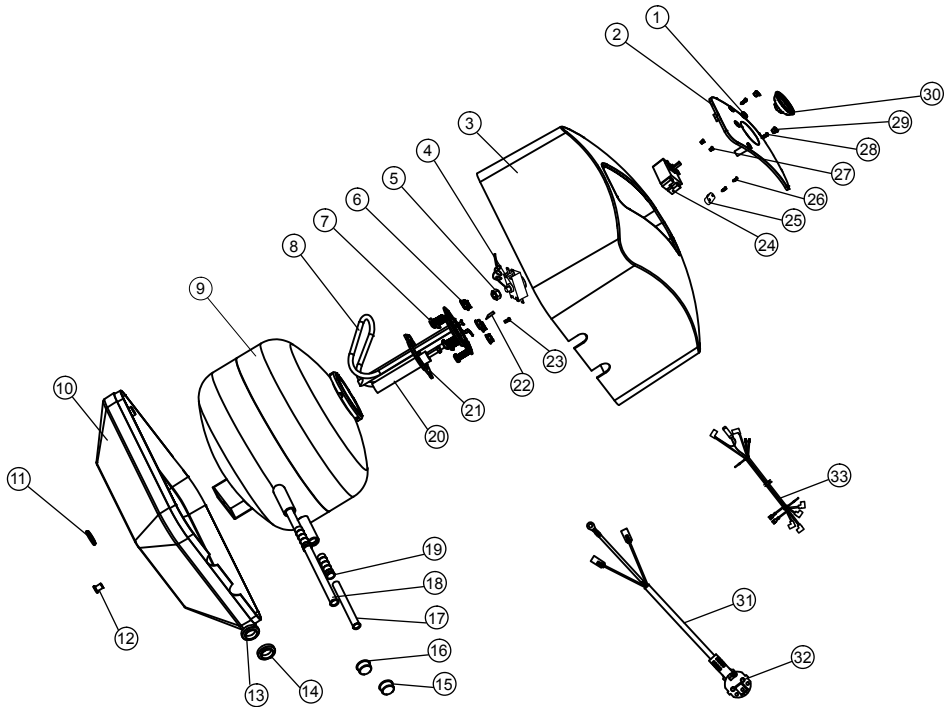


How the owner can secure service assistance or make a warranty claim

1. Owner should contact the dealer who sold the water heater covered by this warranty or
2. Owner should submit the warranty claim directly to Camplux at the address listed below, and they will arrange for the handling of the claim.
3. Whenever a warranty service request is made, be sure to include Proof of Purchase, the water heater model number and the date of manufacture, date of installation, Dealer's name and the watts and voltage.
4. When returning the water heater or component part(s), they must be individually tagged and definite with Returned Goods Authorization # issued by Camplux and shipped prepaid to Camplux at the address below.



Schematic Disassembly & Parts List



	Spare parts	QTY
1	Power indicate light	1
2	Panel	2
3	Front cover	1
4	Thermal cut-out	1
5	Panel fix screw	2
6	Flange nut	5
7	T shape screw	5
8	Heating element	1
9	Tank component	1
10	Back cover	1
11	Injection hole cover	1
12	Rivet	1
13	Red pipe circle	1
14	Blue pipe circle	1
15	Blue protect cover	1
16	Red protect cover	1
17	Water inlet pipe	1

	Spare parts	QTY
18	Water outlet pipe	1
19	Plastic sleeve	2
20	Magnesium anode	1
21	Heating element	1
22	Rubber stopper	1
23	Cross srew	1
24	Thermostat	1
25	Power cord press plate	1
26	Fix screw	2
27	Fix screw	2
28	Fix screw	2
29	Screw cover	2
30	Thermostat button	1
31	Power cord	1
32	Power plug	1
33	Inside connect wire	1



CAMPLUX



📍 8350 Patriot Blvd STE B, North Charleston, SC 29420

☎ 1(844) 538-7475

✉ support@camplux.com

🔥 Visit Us: [Camplux.com](https://www.camplux.com)

CAMPLUX



CAMPLUX

Pro Series



Chauffe-eau Électrique À Mini Réservoir

MANUEL D'UTILISATION ET D'ENTRETIEN



8350 Patriot Blvd STE B, North Charleston, SC 29420

1(844) 538-7475

support@camplux.com

Visit Us: Camplux.com

CAMPLUX



Table des matières

Consignes de sécurité importantes	2-3
Données techniques	3-7
Description technique	7
Instructions pour l'installation	8
Connexion de tuyauterie	9
Soupape de décharge de pression et de température	9-10
Remplissage du chauffe-eau	11
Connexion électrique	11-12
Mode d'emploi	12-13
Consignes d'entretien	13-15
Dépannage	16
Garantie	17-19
Schéma de désassemblage et liste des pièces	20



CONSIGNES DE SÉCURITÉ IMPORTANTES

AVERTISSEMENT

Lors de l'utilisation d'appareils électriques, des précautions de sécurité de base pour réduire le risque d'incendie, de choc électrique ou de blessures doivent être suivies, notamment:

- LISEZ TOUTES LES INSTRUCTIONS AVANT D'UTILISER CE CHAUFFE-EAU.**
- Ce chauffe-eau doit être mis à la terre. Connectez uniquement à une prise correctement mise à la terre.
Voir « INSTRUCTIONS DE MISE À LA TERRE » à la page 11.
- Installez ou localisez ce chauffe-eau uniquement conformément aux instructions d'installation fournies.
- Utilisez ce chauffe-eau uniquement pour l'usage auquel il est destiné, tel que décrit dans ce manuel.
- N'utilisez pas de rallonge avec ce chauffe-eau. Si aucun réceptacle n'est disponible à côté du chauffe-eau, contactez un électricien qualifié pour en faire installer un correctement.
- Comme pour tout appareil, une surveillance étroite est nécessaire lorsqu'il est utilisé par des enfants.
- N'utilisez pas ce chauffe-eau s'il a un cordon ou une fiche endommagé, s'il n'est pas fonctionné correctement, ou s'il a été endommagé ou échappé.
- Ce chauffe-eau ne doit être entretenu que par du personnel de service qualifié. Contactez le centre de service agréé le plus proche pour un examen, une réparation ou un réglage.
- N'utilisez pas de protecteurs de surtension ou d'adaptateurs multiprises avec ce chauffe-eau.



VEUILLEZ CONSERVER CES INSTRUCTIONS

Camplux et/ou le distributeur n'est pas responsable des dommages causés par installation incorrecte ou par le non-respect des instructions de ce manuel. L'installation du chauffe-eau et tous les travaux d'entretien et/ou de maintenance doivent toujours être effectués par un technicien qualifié et agréé.

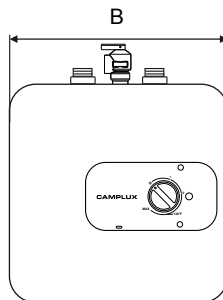
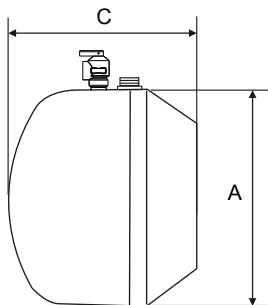
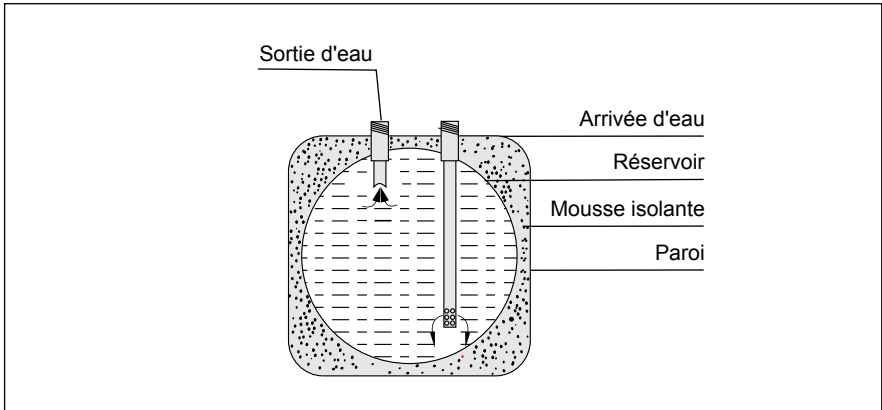
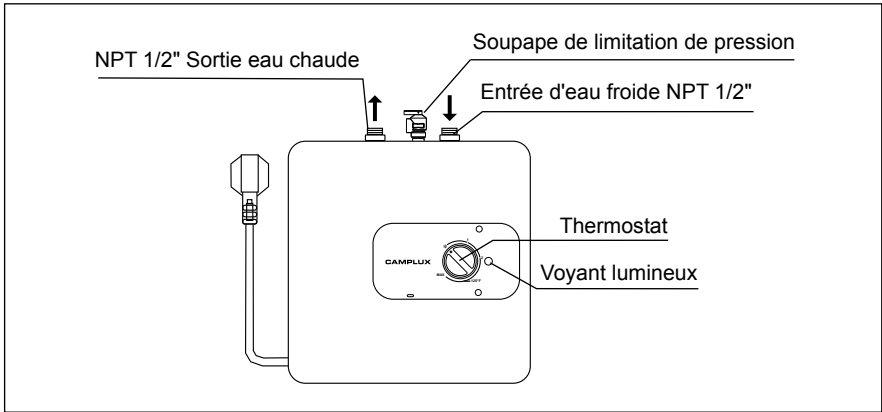
IMPORTANT

LE RÉSERVOIR DOIT ÊTRE COMPLÈTEMENT PLEIN D'EAU ET AVOIR DE L'EAU QUI S'ÉCOULE DU ROBINET D'EAU CHAUDE AVANT D'ACTIVER L'ALIMENTATION AU CHAUFFAGE POUR LA PREMIÈRE FOIS, SINON DES DOMMAGES SERONT OCCASIONNÉS.

Données techniques

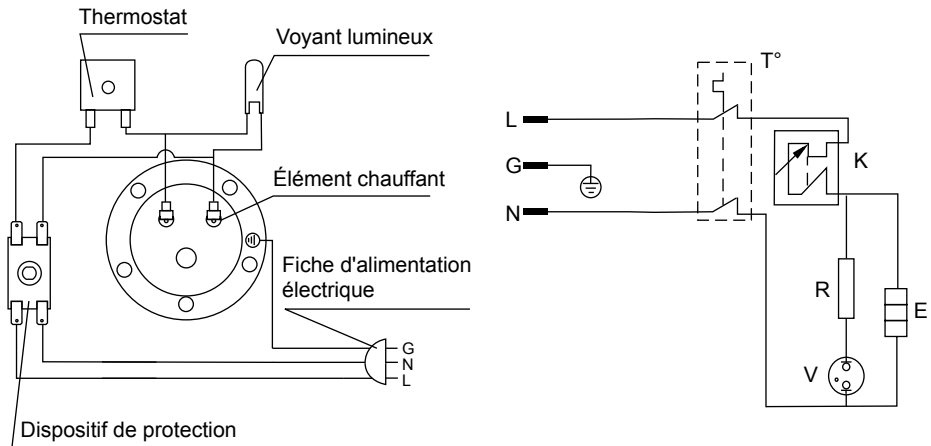
Model	CAMPLUX ME15B	CAMPLUX ME25B	CAMPLUX ME40B	CAMPLUX ME70B
Capacité (Gallons)	1.3	2.5	4.0	6.5
Tension (VAC)	120	120	120	120
Puissance @ 120 VCA (Watts)	1440	1440	1440	1440
Pression d'eau maximum (PSI)	150	150	150	150
Poids (vide) (LBS)	11.0	15.4	19.8	26.5
Ampérage (Ampères)	12	12	12	12
Les phases	1	1	1	1





Model	A (Inch)	B (Inch)	C (Inch)
CAMPLUX ME15B	11.42"	11.42"	9.65"
CAMPLUX ME25B	12.95"	12.95"	11.5"
CAMPLUX ME40B	14.5"	14.5"	12.9"
CAMPLUX ME70B	17.7"	17.7"	14.6"

CAMPLUX ME15B/CAMPLUX ME25B/CAMPLUX ME40B/ CAMPLUX ME70B



Informations générales

Les chauffe-eaux à mini réservoir Camplux peuvent être utilisés dans la plupart des applications sous le comptoir, au point d'utilisation. Les modèles Camplux sont conçus pour fournir des points d'eau chaude pour tous les lavabos et éviers de cuisine dans un environnement résidentiel, commercial ou industriel.

Les mini chauffe-eaux Camplux sont à récupération lente et sont dotés d'un petit réservoir, non destiné aux douches ou aux baignoires.



Les appareils Camplux peuvent remplacer les chauffe-eaux centraux traditionnels, économisant ainsi l'eau et réduisant le gaspillage d'énergie. Les appareils Camplux peuvent également être raccordés en série avec le chauffe-eau central et servir de booster.

Les mini chauffe-eaux Camplux sont légers, compacts et conçus pour une installation facile. Les appareils Camplux peuvent être fixés au sol ou au mur avec le matériel inclus.


Les CAMPLUX ME15B, CAMPLUX ME25B, CAMPLUX ME40B et CAMPLUX ME70B sont conçus pour fonctionner à une pression d'eau maximale de 150PSI. Installez une soupape de surpression si la pression de votre eau est supérieure à 150PSI.

ATTENTION

Camplux n'est pas responsable des dommages causés par une installation inadéquate ou par le non-respect des instructions de ce manuel. Veuillez suivre les instructions du manuel d'installation avant de connecter l'appareil à une prise électrique.

ATTENTION

Les thermostats de ce chauffe-eau ont été réglés en usine à 125 °F (52 °C) ou moins pour réduire le risque de brûlures;

Localisez le panneau avant et le bouton de réglage de la température sur le chauffe-eau. Le point de consigne de départ recommandé est identifié sur le cadran comme . L'indicateur rouge 125 °F (52 °C) au centre de l'écran s'allumera lorsque l'eau chauffe. Lorsque l'eau dans le réservoir est à la température désirée, le voyant rouge ne s'allumera PAS.

Si vous choisissez une température plus élevée, assurez-vous de lire et de suivre les avertissements indiqués sur l'étiquette ci-dessous. Cette étiquette est également située sur le chauffe-eau près du haut du réservoir. Les mitigeurs thermostatiques situés à chaque point d'utilisation sont particulièrement importants pour éviter les brûlures.



Température	120°F (49°C)	125°F (52°C)	130°F (54°C)	135°F (57°C)	140°F (60°C)	145°F (63°C)	150°F (66°C)	155°F (68°C)
Il est temps de produire une grave brûlure	Plus de 5 minutes	1-1/2 à 2 minutes	Environ 30 secondes	Environ 10 secondes	Moins de 5 secondes	Moins de 3 secondes	Environ 1-1/2 secondes	Environ 1 seconde



ATTENTION

L'hydrogène gazeux s'accumule dans un système d'eau chaude lorsqu'il n'est pas utilisé pendant une longue période (deux semaines ou plus). L'hydrogène gazeux est extrêmement inflammable.

Si le système d'eau chaude n'a pas été utilisé pendant deux semaines ou plus, ouvrez un robinet d'eau chaude pendant plusieurs minutes à l'évier de la cuisine avant d'utiliser tout évier électrique et le plus éloigné desservi par ce chauffe-eau avant d'utiliser tout appareil électrique connecté au système d'eau. Ne pas fumer ou avoir une flamme nue ou d'autres sources d'inflammation près du robinet lorsqu'il est ouvert.



AVERTISSEMENT

L'installateur doit revoir le contenu de ce manuel avec le propriétaire à la fin de l'installation. Le manuel doit rester avec le propriétaire et être placé dans un endroit proche du chauffe-eau.

Description technique

Il existe 4 modèles de mini réservoirs Camplux, les modèles 1,3gal 2,5gal, 4,0gal et 6,5gal. Le réservoir sous pression (réservoir d'eau) est en acier soudé revêtu de verre et est équipé d'une tige d'anode. Le chauffe-eau est équipé d'un thermostat et d'un interrupteur de limite de température. Une soupape de décharge de température est fournie avec l'unité.



Instructions d'installation

CAMPLUX ME15B/CAMPLUX ME25B/CAMPLUX ME40B/ CAMPLUX ME70B

L'installation doit être effectuée par un professionnel agréé. Tous les règlements nationaux et locaux doivent être respectés. Camplux ne sera pas responsable des dommages dus au non-respect des instructions d'installation ou à une installation incorrecte effectuée par un installateur non qualifié.

Choisissez un emplacement

Cela permet un accès facile pour la maintenance ou l'entretien, idéalement installé à au moins 9" du plafond, d'une armoire ou de tout mur adjacent.

Installation au mur

Fixez le support de montage fourni au mur. Utilisez des vis adaptées au matériau du mur et au poids du chauffe-eau rempli à sa capacité (CAMPLUX ME15B = 22,0 lb, CAMPLUX ME25B = 37,5 lb, CAMPLUX ME40B = 53,0 lb, CAMPLUX ME70B = 81,6 lb). Accrochez le chauffe-eau au support et tirez le chauffe-eau vers le bas pour vous assurer que les deux «doigts» du support sont placés dans les fentes de montage.

Confirmez l'orientation de votre tuyauterie d'eau (chaude et froide) avant le montage mural. **Installer uniquement en position verticale.** Le radiateur peut reposer sur le sol dans un bac avec un drain.

Confirmez l'orientation de la tuyauterie avant de finaliser sur le sol. **Encore une fois, installez uniquement en position verticale!** Les modèles Camplux CAMPLUX ME15B, CAMPLUX ME25B, CAMPLUX ME40B et CAMPLUX ME70B peuvent être installés sous l'évier.

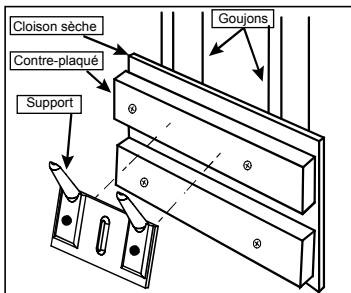


Figure - Montage pour cloison sèche

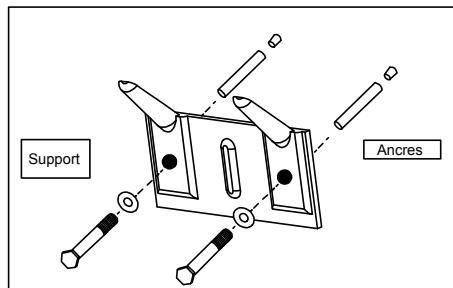


Figure - Support de montage pour mur de maçonnerie



Connexion de tuyauterie

Connectez le tuyau d'entrée d'eau froide au raccord d'entrée (marqué d'un anneau bleu) et le tuyau de sortie d'eau chaude au raccord de sortie (marqué d'un anneau rouge).

IMPORTANT

Si les conduites d'eau sont en cuivre ou en bronze, utilisez de connexions diélectriques pour éviter la corrosion. Le fait de ne pas fournir une isolation diélectrique peut entraîner une défaillance prématurée du réservoir ou du raccord et peut annuler votre garantie. Assurez-vous que le chauffe-eau est installé dans une position de niveau. Installez un robinet d'arrêt du côté eau froide du chauffe-eau. La vanne est destinée à l'entretien et la vanne doit être en position ouverte lorsque le chauffe-eau est en marche. Afin de protéger le chauffe-eau contre les dommages causés par la chaleur dus au soudage, soudez un morceau de tube à un raccord union fileté avant de visser le raccord au réservoir.

N'appliquez pas de chaleur directement sur les connexions d'entrée ou de sortie.

Soupape de décharge de pression et de température

ATTENTION

Pour réduire le risque de pressions et de températures excessives dans ce chauffe-eau, installez l'équipement de protection contre la température et la pression requis par les codes locaux et au moins une soupape de surpression et de température combinée certifiée par un laboratoire d'essais reconnu au niveau national qui effectue des inspections périodiques des vannes et Dispositifs d'arrêt automatique du gaz pour les systèmes d'alimentation en eau chaude ANSI 121.22. Cette vanne doit être marquée avec une pression de réglage maximale ne dépassant pas la pression de service maximale marquée du chauffe-eau (150 PSI).

Installez la vanne T/P dans une ouverture prévue et marquée à cet effet dans le chauffe-eau, et orientez-la ou fournissez une tubulure de sorte qu'aucune décharge de la vanne n'entre en contact avec une pièce électrique sous tension. L'ouverture de décharge ne doit en aucun cas être bloquée ou réduite en taille.



Tuyau de décharge de la valve T/P

1. Le diamètre ne doit pas être inférieur au diamètre de sortie de la soupape ou posséder des raccords réducteurs.
2. Ne doit pas être branché ou bloqué.
3. Doit être fait d'un matériau approprié pour l'eau chaude.
4. Ne doit pas dépasser 15" de longueur.
5. Ne doit pas avoir plus de deux coudes.
6. Doit se terminer par un drain adéquat.
7. Ne doit pas avoir de soupape d'arrêt entre la soupape de décharge et le réservoir ou la soupape de sûreté et l'extrémité de la décharge.

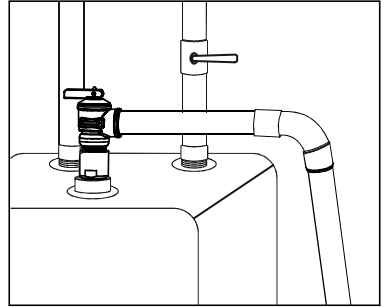


Figure - Le tuyau de décharge de la soupape de décharge T&P doit être installé correctement et raccordé à un drain adéquat.

Expansion thermique du système fermé

Une décharge périodique de la soupape de décharge T/P ou une défaillance du joint de l'élément peut être en raison de la dilatation thermique dans un système d'alimentation en eau fermé. Le compteur d'alimentation d'eau contient un clapet anti-retour, un dispositif anti-retour ou un réducteur de pression d'eau qui forment un système d'eau fermé. Pendant le cycle de chauffage du chauffe-eau, l'eau chauffée se dilate provoquant une pression à l'intérieur de l'eau. La soupape de décharge T/P peut évacuer de l'eau chaude dans ces conditions, ce qui entraîne une perte d'énergie et une accumulation de calcaire sur le relief de la soupape.

Pour éviter que cela ne se produise, il existe deux recommandations

1. Installez un vase d'expansion d'eau chaude sanitaire à membrane (adapté à l'eau potable) sur la conduite d'alimentation en eau froide. Le vase d'expansion doit avoir une capacité minimale de 1,5gal pour chaque 50gal d'eau stockée.
2. Installez une soupape de surpression de 150 PSI dans la conduite d'alimentation en eau froide. Assurez-vous que le refoulement de cette vanne soit dirigé vers un drain ouvert et protégé du gel. Contactez votre service d'eau local ou votre inspecteur de plomberie pour savoir comment contrôler cette situation. Ne jamais boucher la sortie de la soupape de décharge.



Remplir le chauffe-eau



ATTENTION

Avant de brancher le câble d'alimentation dans une prise de courant, être sûr que le système est complètement chargé avec de l'eau et que tout l'air est éliminé. Avant de brancher l'alimentation, remplissez le réservoir et le système d'eau avec de l'eau et vérifiez s'il y a des fuites. Pour vous assurer que tout l'air est hors du système d'eau, ouvrez les robinets d'eau chaude jusqu'à ce que l'eau coule de façon constante. Si de l'air reste dans le réservoir, cela peut endommager le chauffe-eau.

1. Ouvrez le robinet d'eau chaude.
2. Ouvrez la vanne d'alimentation en eau froide.
3. Lorsque de l'eau continue à s'écouler du robinet, le réservoir est rempli.
4. Fermez le robinet d'eau chaude.
5. Vérifiez tout le système pour déceler les fuites.

Connexions électriques

Pour être certain que tout l'air est hors du chauffe-eau, ouvrez le robinet d'eau chaude sur vos installations jusqu'à ce que l'eau coule de façon constante. Si de l'air reste dans le réservoir, l'élément peut endommager le chauffe-eau au moment de brancher le câble d'alimentation.

INSTRUCTIONS DE MISE À LA TERRE

Connectez le chauffe-eau à une prise mise à la terre. L'eau de chauffage est montée avec un câble d'alimentation qui est destiné à être branché dans une prise 120 V/CA. Veuillez respecter tous les règlements régionaux et locaux pertinents. Installez le disjoncteur de taille correcte dans le panneau principal. Le mini chauffe-eau Camplux a été fabriqué et câblé conformément aux exigences UL.

Le chauffe-eau est équipée d'une limiteur de surchauffe avec un mode redémarrage manuel. Aussi connu comme la température élevée limite, ce dispositif a été installé en usine pour interrompre l'alimentation électrique en cas de bris du thermostat.



Ce chauffe-eau est conçu pour un service 120V. Ne pas connecter à une autre tension.

Le non-respect de la tension appropriée peut entraîner des blessures corporelles et/ou des dommages matériels. Si le câble d'alimentation électrique fourni est endommagé ou n'est pas assez long, n'utilisez pas de rallonge. Faites remplacer le câble d'alimentation par un électricien agréé.

Mode d'emploi

Toutes nos félicitations!

Vous êtes maintenant prêt à utiliser votre chauffe-eau. Faites couler l'eau chaude dans un évier à proximité et évaluez la température de l'eau chaude. Effectuez tout ajustement de température en utilisant la section ci-dessous:

Réglage du thermostat

Le chauffe-eau est équipé d'un thermostat réglable qui, une fois réglé, contrôlera automatiquement la température de l'eau. Le voyant rouge reste allumé pendant le chauffage de l'eau. Si l'eau dans le réservoir est à la température désirée, la lampe ne sera pas allumée.

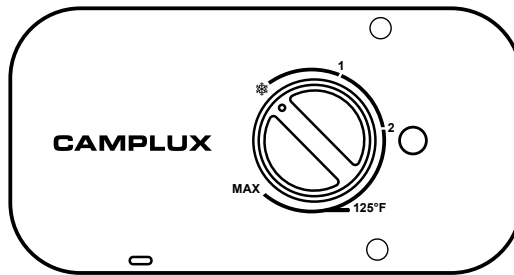
Le bouton de réglage de la température augmentera la température en tournant le bouton dans le sens des aiguilles d'une montre et diminuera la température de l'eau en tournant le bouton dans le sens inverse des aiguilles d'une montre.

Lorsqu'il n'est pas utilisé pendant une longue période, vous pouvez économiser de l'énergie en réduisant le réglage de la température de l'eau.

Réglage de la protection antigel

Lorsque le chauffe-eau n'est pas utilisé pendant une période prolongée et qu'il y a un risque de gel, débranchez et vidangez le chauffe-eau ou tournez le bouton du thermostat sur la position flocon de neige pour éviter le gel. Cette position maintiendra la température de l'eau au-dessus du point de congélation.





Consignes d'entretien

N'essayez pas de réparer le chauffe-eau vous-même. Appelez un technicien (plombier ou électricien) pour obtenir de l'aide. Débranchez toujours le câble d'alimentation lorsque l'eau est coupée, lors de l'entretien ou la vidange du chauffe-eau.

Avant d'appeler le service, vérifiez d'abord que le chauffe-eau est correctement rempli et que l'alimentation 120V/CA n'a pas été interrompue.

AVERTISSEMENT

Avant de réparer ou de nettoyer le chauffe-eau, débranchez le câble d'alimentation de la prise électrique.

Remarque: Pour la plupart des opérations d'entretien, le chauffe-eau devra être vidangé. Dans tous les cas, avant de vidanger, débranchez d'abord le câble d'alimentation.

Vidange et retrait du chauffe-eau

1. Débranchez le chauffe-eau.
2. Ouvrez un robinet d'eau chaude pour laisser couler l'eau chaude. Laissez l'eau couler jusqu'à ce que l'eau ne soit plus chaude.
3. Coupez l'alimentation en eau froide du chauffe-eau.
4. Fermez le robinet d'eau chaude.
5. Débranchez le chauffe-eau des connexions d'eau chaude et froide.
6. Si possible, siphonnez l'eau restante.
7. Détachez soigneusement le chauffe-eau du mur.
8. Inclinez le chauffe-eau pour évacuer l'eau restante du chauffe-eau.



Démontage de l'élément chauffant

1. Débranchez le câble d'alimentation du chauffe-eau et vidangez-le (voir page 13).
2. Retirez le couvercle.
3. Retirez tous les fils de ligne de l'élément chauffant.
4. Dévissez les écrous de retenue de l'élément chauffant.
5. Retirez l'élément.

Détartrage de l'élément chauffant:

Les dépôts de tartre peuvent affecter la capacité de chauffage de l'élément. Le tartre lourd peut même provoquer l'épuisement de l'élément. L'élément peut être détartré chimiquement ou manuellement.

1. Retirez l'élément chauffant (voir paragraphe précédent).
2. Pour détartrer chimiquement, trempez l'élément chauffant dans du vinaigre blanc ou une autre solution de détartrage, puis rincez abondamment à l'eau fraîche.
3. Pour détartrer manuellement, laissez sécher l'élément puis utiliser une brosse non métallique semblable à une brosse à dents; brossez les résidus de l'élément. Évitez d'endommager la surface de l'élément.
4. Réinstallez l'élément et le joint.
5. Remplissez le réservoir d'eau avant de brancher le câble d'alimentation.

Remplacement de l'élément chauffant

1. Débranchez et vidangez le chauffe-eau (voir page 13).
2. Retirez l'élément chauffant en notant les positions d'origine de toutes les connexions.
3. Installez le nouvel élément avec le joint en vous assurant que le nouvel élément et le joint sont correctement positionnés.
4. Serrez les écrous de retenue et reconnecter les fils à leur emplacement d'origine.

Changer le thermostat

1. Débranchez le câble d'alimentation du chauffe-eau de la prise électrique.
2. Vidangez et retirez le chauffe-eau. (voir page 13)
3. Retirez le panneau inférieur du chauffe-eau et retirez le panneau.



4. Retirez le bouton du thermostat et dévissez les deux vis de fixation. Il peut être nécessaire de soulever le bouton de l'axe du thermostat. Retirez maintenant le panneau avant.
5. Débranchez les connecteurs de fils push-pull sur le thermostat en notant quel connecteur va à quelle borne. Les bornes sont marquées.
6. Retirez la sonde du thermostat du puits.
7. Installez un nouveau thermostat, fixez les fils et serrez les vis.

Réinitialiser l'interrupteur de limite supérieure

Pour diverses raisons, l'interrupteur d'arrêt de sécurité de limite supérieure arrête occasionnellement le chauffe-eau. Cet arrêt se produit lorsque la température de l'eau dépasse 140°F(60°C). L'élément chauffant est automatiquement mis hors tension. Le dispositif d'arrêt peut s'activer à la suite d'une panne de courant ou d'un orage.

Remarque: N'essayez pas de réinitialiser l'interrupteur de limite supérieure sans avoir d'abord permis au chauffe-eau de refroidir l'eau à haute température à l'intérieur du chauffe-eau.

AVERTISSEMENT

Ne pas modifier le bouton de réinitialisation pour annuler l'arrêt de surchauffe.

1. Débranchez le câble d'alimentation du chauffe-eau de la prise électrique.
2. Vidangez et retirez le chauffe-eau. (voir page 13)
3. Retirez les six vis retenant le panneau inférieur du chauffe-eau et retirez le panneau. Localisez le bouton de réinitialisation de la limite supérieure.
4. Appuyez sur le petit bouton rouge au centre de la boîte de jonction, remplacez le panneau inférieur et remettez le chauffe-eau en service.

Remarque: un réglage de température plus bas économise de l'énergie et réduit le risque de brûlure.

ATTENTION

Appelez un technicien si la limite supérieure doit être réinitialisée fréquemment.



Dépannage

Problème: l'eau ne chauffe pas

1. Assurez-vous que l'alimentation est allumée et qu'elle fonctionne.
2. Si la lumière ne s'allume pas, vérifiez que le bouton de réinitialisation est enfoncé; suivre les étapes de la section précédente.
3. Si le voyant lumineux est allumé, mais que la température de l'eau ne chauffe pas à l'évier, testez la plomberie comme suit; couper l'alimentation en eau froide du chauffe-eau et du robinet d'eau chaude ouvert. Il ne devrait pas y avoir d'eau qui coule. Tout débit continu indique un croisement qui affectera la température et cela doit être corrigé.
4. S'il n'y a pas de croisement, remplacez l'élément chauffant (voir page 14).

Problème: le voyant n'est pas allumé

1. Si la lumière ne s'allume pas, mais que l'eau devient chaude, vérifiez si l'ampoule est défectueuse.
2. Vérifiez le bouton de réinitialisation; suivez les étapes de la section précédente.

Problème: l'eau est trop chaude

1. Tournez le bouton de température dans le sens antihoraire pour un réglage de température plus bas. Si la température ne baisse pas dans les 60 minutes, remplacez le thermostat.

Problème: l'eau n'est pas assez chaude

1. Dans le mode d'emploi, voir «Réglage du thermostat».

Problème: de l'eau fuit

1. Débranchez le câble d'alimentation du chauffe-eau de la prise 120V/CA.
2. Vérifiez les raccords d'eau et le raccord T&P en haut du réservoir.
3. Retirez le couvercle et inspectez le joint de l'élément chauffant.



Chauffe-eau à mini réservoir Camplux – Garantie limitée (3) ans de couverture de garantie

Camplux garantit ce chauffe-eau au Propriétaire (ci-après «Propriétaire») du chauffe-eau à l'emplacement d'origine de l'installation contre les défauts de matériaux et de fabrication pendant les périodes spécifiées ci-dessous.

Période de garantie

1. Lorsqu'une défaillance du réservoir intérieur d'un chauffe-eau à mini réservoir Camplux, installé chez une seule famille pour application résidentielle et exposé à une utilisation normale (à l'exclusion des applications de recirculation), alimenté en eau potable réputée ne pas être de l'eau dure, survient dans les trois (3) ans à compter de la date de l'original d'installation et telle défaillance est prouvée comme étant le résultat d'un défaut de matériau ou de fabrication ou dans un délai d'un (1) an si elle est utilisée dans le cadre d'une application de recirculation ou dans un application résidentielle pour plus d'une familiale, ou avec de l'eau dure, Camplux fournira à ce propriétaire un nouveau chauffe-eau comparable au modèle en vigueur.
2. Si un composant (autre que le réservoir intérieur) s'avère défectueux en matière de matériau ou de fabrication dans un délai d'un (1) an à compter de la date d'installation originale dans une seule famille, application résidentielle utilisée avec de l'eau potable réputée ne pas être dure, ou dans un délai d'un (1) an s'il est utilisé dans le cadre d'un système de recirculation, ou avec de l'eau dure, ou s'il est utilisé dans une résidence autre qu'une maison unifamiliale, Camplux fournira au propriétaire le remplacement de la ou des pièces défectueuses.
3. Vérification de la date de l'installation d'origine - Lorsque le propriétaire ne peut pas vérifier ou documenter la date d'origine de l'installation, la période de garantie commence à la date de fabrication indiquée sur l'étiquette apposée sur le chauffe-eau.

Exclusions

1. Cette garantie limitée est la garantie exclusive faite par Camplux et remplace toutes les autres garanties, expresses ou implicites (écrites ou orales), y compris, mais sans s'y limiter, les garanties ou la qualité marchande et l'adéquation à un usage particulier.



2. Camplux ne sera pas responsable des dommages ou dépenses accessoires, consécutifs, spéciaux ou éventuels résultant, directement ou indirectement, de tout défaut du chauffe-eau ou de l'utilisation du chauffe-eau.
3. Le Camplux décline toute responsabilité en cas de dégât des eaux résultant, directement ou indirectement, à tout défaut des composants du chauffe-eau ou de son utilisation.
4. Camplux décline toute responsabilité en vertu de cette garantie si:
 - a) le chauffe-eau ou l'un de ses composants a été soumis à une pression d'eau excessive, mauvaise utilisation, abus, altération, négligence ou accident, ou
 - b) le chauffe-eau n'a pas été installé conformément aux codes et/ou règlements locaux applicables en matière de plomberie, d'électricité et/ou du bâtiment, ou
 - c) le chauffe-eau n'a pas été installé conformément aux instructions imprimées de Camplux, ou
 - d) le chauffe-eau n'est pas alimenté en eau potable en continu, autrement décrit comme une cuisson à sec
 - e) le chauffe-eau est exposé à des conditions résultant d'inondations, de tremblements de terre, vents, incendie, foudre ou circonstances indépendantes de la volonté du Camplux
 - f) le chauffe-eau est installé par du personnel non qualifié.
5. Le propriétaire et non le Camplux ni son agent/représentant sera responsable et paiera tous les frais de terrain pour la main-d'œuvre ou autres dépenses engagées pour l'enlèvement et/ou la réparation du chauffe-eau ou toute dépenses encourues par le propriétaire de la garantie afin pour réparer le chauffe-eau.

Certains États n'autorisent pas l'exclusion ou la limitation des dommages accessoires, de sorte que la limitation ou l'exclusion ci-dessus peut ne pas s'appliquer à vous. Cette garantie vous donne des droits légaux spécifiques et vous pouvez également avoir d'autres droits qui peuvent varier d'un état à l'autre.

IMPORTANT

Le propriétaire doit conserver ce document.

Remarque: la plupart des chauffe-eaux à réservoir fuient éventuellement. Votre chauffe-eau Camplux doit être installé de telle manière qu'en cas de fuite, le débit d'eau qui en résulte n'endommage pas la zone dans laquelle il est installé.

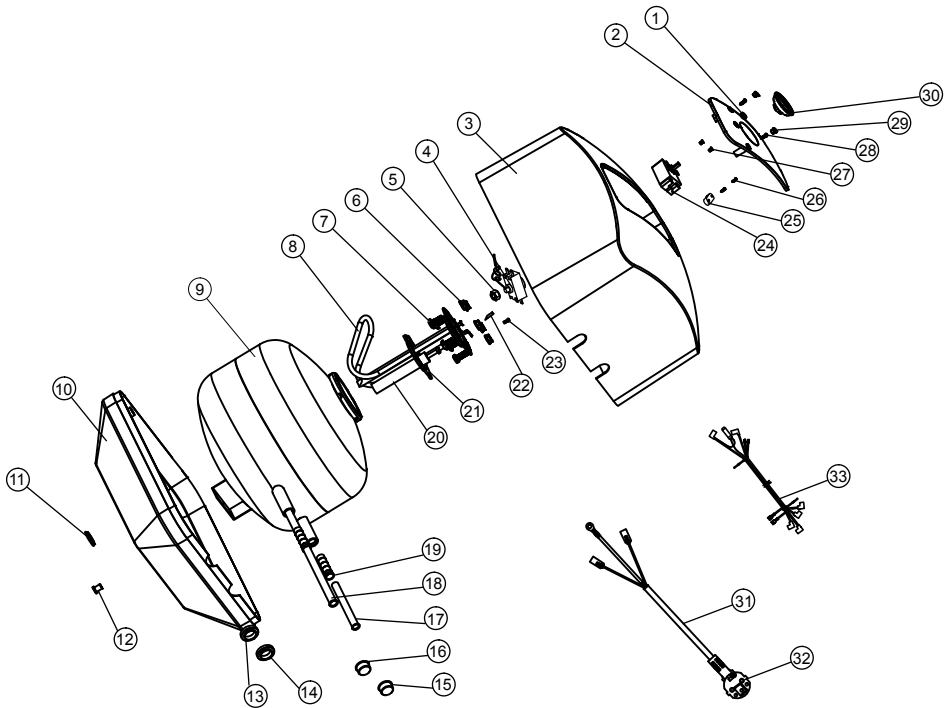


Comment le propriétaire peut-il obtenir une assistance technique ou faire une réclamation au titre de la garantie

1. Le propriétaire doit contacter le revendeur qui a vendu le chauffe-eau couvert par cette garantie ou
2. Le propriétaire doit soumettre la réclamation au titre de la garantie directement à Camplux à l'adresse indiquée ci-dessous, et il organisera le traitement de la réclamation.
3. Chaque fois qu'une demande de service de garantie est faite, assurez-vous d'inclure la preuve d'achat, le numéro de modèle du chauffe-eau et la date de fabrication, la date d'installation, le nom du concessionnaire et les watts et la tension.
4. Lors du retour du chauffe-eau ou des composants, ils doivent être individuellement étiquetés et définis avec le numéro d'autorisation de retour de marchandise émis par Camplux et expédiés en port payé à Camplux à l'adresse ci-dessous.



Schéma de démontage et liste des pièces



	Pièces de rechange	QTY
1	La puissance indique la lumière	1
2	Panneau	2
3	Couverture avant	1
4	Coupe-circuit thermique	1
5	Vis de fixation du panneau	2
6	Écrou à bride	5
7	Vis en forme de T	5
8	Élément chauffant	1
9	Composant de réservoir	1
10	Quatrième de couverture	1
11	Couvercle du trou d'injection	1
12	Rivet	1
13	Cercle de tuyau rouge	1
14	Cercle de tuyau bleu	1
15	Housse de protection bleue	1
16	Housse de protection rouge	1
17	Tuyau d'arrivée d'eau	1

	Pièces de rechange	QTY
18	Tuyau de sortie d'eau	1
19	Manche en plastique	2
20	Anode de magnésium	1
21	Élément chauffant	1
22	Bouchon de caoutchouc	1
23	Tournevis cruciforme	1
24	Thermostat	1
25	Plaque de presse du câble d'alimentation	1
26	Vis fixe	2
27	Vis fixe	2
28	Vis fixe	2
29	Tête de vis	2
30	Bouton du thermostat	1
31	Câble d'alimentation	1
32	Fiche d'alimentation	1
33	Fil de connexion intérieur	1



CAMPLUX



📍 8350 Patriot Blvd STE B, North Charleston, SC 29420

☎ 1(844) 538-7475

✉ support@camplux.com

🔥 Visit Us: [Camplux.com](https://www.camplux.com)

CAMPLUX

